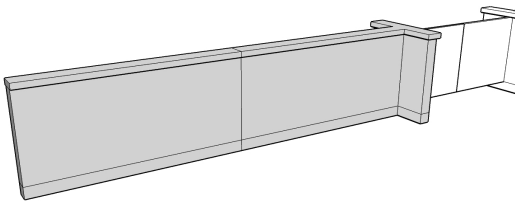
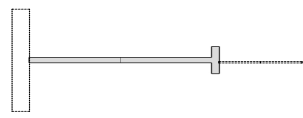
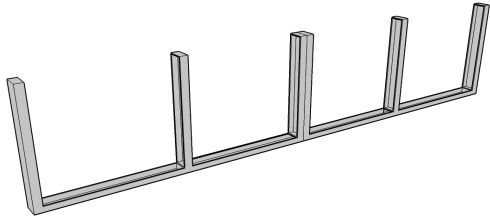

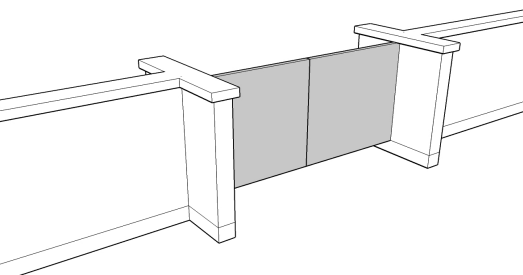
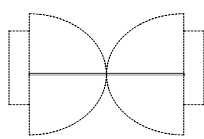

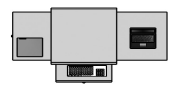


Courtroom Divider & Legal Lectern

Courtroom divider features: A hollow wood divider, steel frame or wood blocking that will be bolted to floor, and hinged gate.
Legal lectern features: Mounted on swivel, internal cableways, and pull out shelves. Lights and mikes are not included.

		Sizes W x D x H	
	<p>Hollow wood divider</p>  <p>Courtroom dividers are shipped in 8' to 10' sections that are bolted together. Dividers also come with wood cleats to be fastened to the floor and the wall.</p>	Linear ft.	
	<p>Steel stanchions</p>  <p>Divider can be installed with steel frame bolted to floor. Hollow divider is then lowered into place. Stanchions are steel channels 2" x 4" and are welded in sections that are bolted together.</p>	Linear ft.	
	<p>Hinged gates</p>  <p>Hinged gates swing back and forth. Price includes cost of standard spring and gravity hinges. Add \$450 list for gas cylinder hinges. Price is for set of 2 doors.</p>	Pair	
	<p>Legal Lectern</p>  <p>Legal lectern is mounted on swivel, and includes internal cableways for full wiring, pull out shelves for KB, laptop, and document camera. Removable front panel facilitates wiring. Lights and mikes are not included.</p> <p style="text-align: center;"><i>Overall width and depth with shelves extended 70"W x 43"D</i></p>	30 x 31 x 44	Each

ARD provides pricing for courtroom dividers per linear foot, since courtrooms vary in size. Gates are priced separately. ARD courtroom dividers are attached to side walls of the courtroom with detachable wood cleat. The optional gate is attached to the "T", which must be securely fastened to floor. ARD provides blocking to facilitate this. An alternate method that is more durable requires a steel channel that is bolted to floor over which the divider is placed.

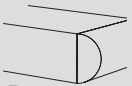
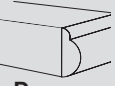

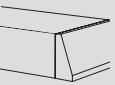
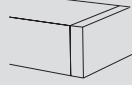
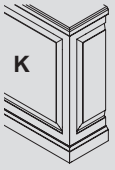
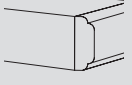
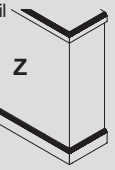



- Zone 1
- Zone 2
- Zone 3
- Zone 4

Prices shown below are list prices,
dock delivered to zone indicated.

Prices subject to fuel surcharge.
Installation available in some areas.
See page 9.

list prices 1/09

Model No.	Prices shown below are for Contemporary edges				Ship Wt	Edge details for transaction counter tops. 2" thick
	Zone 1	Zone 2	Zone 3	Zone 4		
RJDD_	955	989	1006	1023		<p>Contemporary</p>  <p>B</p>  <p>D</p>  <p>R</p>  <p>V</p>  <p>H</p>
RJDS_	655	679	690	702		
RJDG_	3330	3450	3510	3570		<p>Kent detail Solid wood raised panels, solid wood plinthe toe kick, wood edge on counter. Add 65% List.</p>  <p>K</p> 
RJLL_	6793	7038	7160	7283		<p>Transitional detail 2" thick counter with solid wood plinthe toe kick. Add 10% List.</p>  <p>Z</p> <p>Traditional detail 2" thick ogee edge on counter, solid wood plinthe toe kick, picture frame applied molding. Add 15% List.</p>  <p>T</p>

Add edge detail desired - B, D, R, V, K, H, Z or T as suffix to style number.

There are no base molding or picture frame moldings with edge details B, H, V, K, R or D. Edge Z has base molding only, Edge T both base molding and picture frame molding.