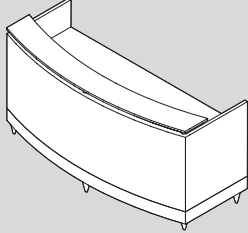

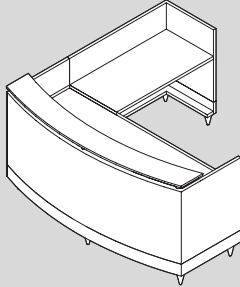
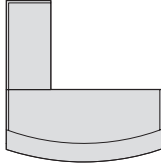
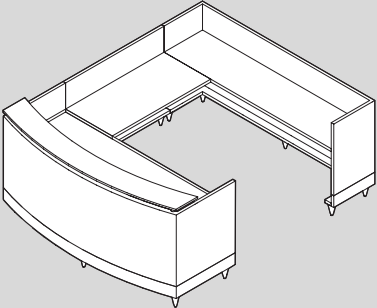
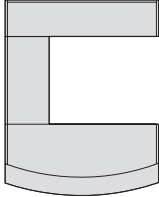
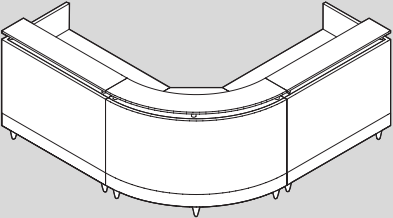
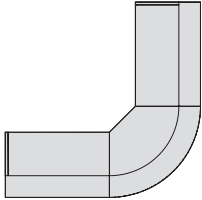
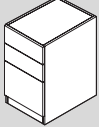
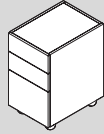


Prismo Millenium Series

Prismo Millenium features: 3/4" thick clear glass counter with polished edges supported by metal stand-offs on metal laminate subtop. Conical metal legs.

	Plan Configuration	Sizes W x D x H	
	<p>Configuration 0</p> <p>Desk</p>  <p>Desk only, with grommet.</p> <p>See storage options below.</p>	<p>72 x 36 x 42</p> <p>84 x 36 x 42</p> <p>96 x 36 x 42</p>	
	<p>Configuration 1</p> <p>Desk with Return</p>  <p>Desk and 48" w x 24" d return, with two grommets.</p> <p>See storage options below.</p> <p>Specify left or right return.</p>	<p>72 x 84 x 42</p> <p>84 x 84 x 42</p> <p>96 x 84 x 42</p>	
	<p>Configuration 2</p> <p>Desk with Bridge and Credenza</p>  <p>Desk, bridge and rear credenza shell, with three grommets.</p> <p>See storage options below.</p> <p>Specify left or right return.</p>	<p>72 x 104 x 42</p> <p>84 x 104 x 42</p> <p>96 x 104 x 42</p>	
	<p>Configuration 3</p> <p>Desk with two Returns</p>  <p>See storage options below.</p>	<p>90 x 90 x 42</p>	

Storage options to be placed under worksurface			
<p>RPED 21 Box, box, file pedestal with lock. 16" wide.</p> <p>Add \$1150</p>		<p>RPED 02 File, file pedestal with lock, 16" wide.</p> <p>Add \$1035 List.</p>	<p>RMP 21 Mobile BBF pedestal, with lock, 16" wide.</p> <p>Add \$1155 List.</p> 

For a larger map see page 9.



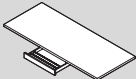
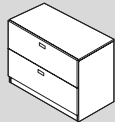
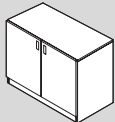
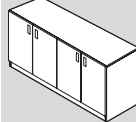
- Zone 1
- Zone 2
- Zone 3
- Zone 4

Prices shown below are list prices,
dock delivered to zone indicated.

Prices subject to fuel surcharge.
Installation available in some areas.
See page 9.

list prices 1/08

Model No.	Prices shown below are for Square edge only				Ship Wt	Square edge only
	Zone 1	Zone 2	Zone 3	Zone 4		
RPMC072	14743	15274	15540	15806	600	Options: • Marble or granite inlay on transaction countertop. Call factory for pricing. • Lacquer accents in aluminum, black laquer or contrasting wood. One set of three. Add \$352 • Aluminum covered drawers fronts. Add \$275 • Aluminum doors on cabinets. Add \$220 • Frosted glass on transaction counter. For Configuration 0, 1 and 2 add \$715. For Configuration 3 add \$935.
RPMC084	16765	17370	17672	17974	700	
RPMC096	18793	19471	19809	20148	800	
RPMC172	18601	19272	19607	19942	900	
RPMC184	20617	21360	21732	22103	1000	
RPMC196	22587	23401	23808	24215	1100	
RPMC272	23671	24524	24950	25377	1200	
RPMC284	25688	26613	27076	27539	1350	
RPMC296	27716	28714	29214	29713	1450	
RPMC390	25372	26287	26744	27201	1300	

Storage options to be placed under worksurface				020 Pencil drawer. Add \$195 List.			
RFL 30 RFL 36 Lateral file with lock, 30" or 36" wide. Add \$1550 List.		RDC 30 2-door storage with adj wood shelf, 30" wide. Add \$1260 List.		RDC 60 4-door storage with adj wood shelves, 60" wide. Add \$1625 List.		031 Articulating Keyboard drawer with mousepad. Add \$480 List.	