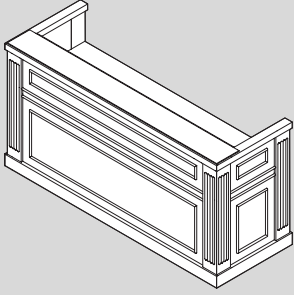

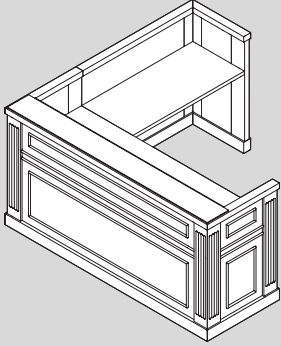
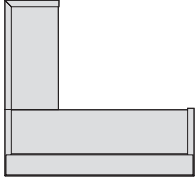
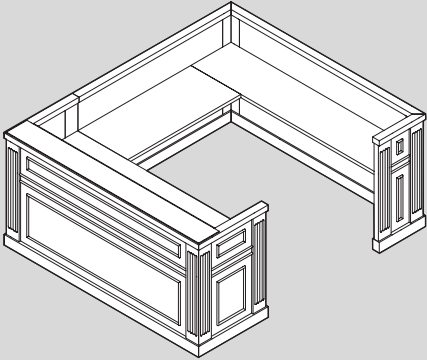
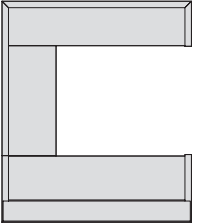
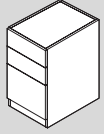
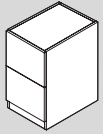
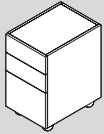


## Somerset Series

Somerset features: marble inlay on counter, wood cap on chassis, fluted columns, chair rail molding, fabric tackboard, and mitered picture frame molding.

	Plan Configuration		Sizes W x D x H
	<p>Configuration 0</p> 	Desk	
		Desk only with grommet.	72 x 30 x 42
		See storage options below.	84 x 30 x 42
			96 x 30 x 42
	<p>Configuration 1</p> 	Desk with Return	
		Desk and 48" w x 24" d return, with two grommets.	72 x 78 x 42
		See storage options below.	84 x 78 x 42
		Specify left or right return.	96 x 78 x 42
	<p>Configuration 2</p> 	Desk with Bridge and Credenza	
		Desk, 48" w x 24" d bridge and 20" d rear credenza shell, with three grommets.	72 x 98 x 42
		See storage options below.	84 x 98 x 42
		Specify left or right return.	96 x 98 x 42

Storage options to be placed under worksurface			
<p>Option: All wood transaction counter. Call factory for pricing.</p>	<p>RPED 21 Box, box, file pedestal with lock, 16" wide.</p> 	<p>RPED 02 File, file pedestal with lock, 16" wide.</p> 	<p>RMP 21 Mobile BBF pedestal, with lock, 16" wide.</p> 
	Add \$1150 List.	Add \$1035 List.	Add \$1155 List.

For a larger map see page 9.

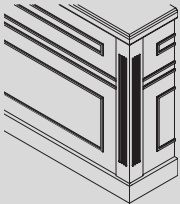


- Zone 1
- Zone 2
- Zone 3
- Zone 4

Prices shown below are list prices,  
dock delivered to zone indicated.

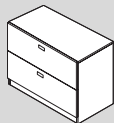
Prices subject to fuel surcharge.  
Installation available in some areas.  
See page 9.

**list prices 1/08**

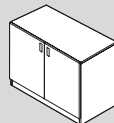
Model No.	Prices shown below are for Somerset detailing only				Ship Wt	Somerset only
	Zone 1	Zone 2	Zone 3	Zone 4		
RTS072	14272	14787	15044	15301	650	Somerset detail 1" Thick applied molding, 3" wide Chair rail, fluted pilasters, solid wood plinthe toe kick, 2" solid wood edge on counter.
RTS084	15437	15993	16271	16549	750	
RTS096	16771	17375	17678	17980	850	
RTS172	18432	19096	19428	19760	900	M 
RTS184	19522	20225	20577	20929	1000	
RTS196	20856	21607	21983	22359	1100	
RTS272	22529	23340	23746	24152	1400	
RTS284	23578	24427	24852	25277	1500	
RTS296	24918	25816	26265	26714	1600	

Storage options to be placed under worksurface

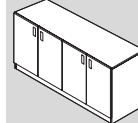
RFL 30  
RFL 36  
Lateral file with lock,  
30" or 36" wide.  
  
Add \$1550 List.



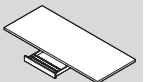
RDC 30  
2-door storage with  
adj wood shelf,  
30" wide.  
  
Add \$1260 List.



RDC 60  
4-door storage with  
adj wood shelves,  
60" wide.  
  
Add \$1625 List.



020  
Pencil drawer.  
Add \$195 List.



031  
Articulating  
Keyboard drawer  
with mousepad.  
Add \$480 List.

